

Let your productivity flow

Perform at your peak with
a Fellowes Monitor Arm



Fellowes

Glide through your to-do list in comfort

When we're in a flow state, incredible things happen. We become totally immersed, able to fly through activities without being distracted. Time seems to pass unnoticed as we achieve more. Can you imagine if every day we could be in that flow state? A Fellowes Monitor Arm makes it possible, by helping you accomplish tasks faster, easier and in heightened ergonomic comfort. Allowing you to perform at your peak, however you wish to work.

In a 2021 survey*, 48% of participants said that relieving neck pain would make their workspace healthier for them. Using a Fellowes monitor arm means that you can set your screen to the exact height and angle to improve your health when working. This reduces the risk of neck pain and allows for more comfortable, productive working.

Fellowes 100-year wealth of research and product development in the office workspace has resulted in a monitor arm and accessories range designed to allow effortless adjustment for full workspace flexibility, with configurations and added features to suit all individual work styles.

*Survey data collected by Censuswide for Fellowes, 2021



FIRA Compliance

FIRA International are an independent Ergonomic Standards Accreditor.

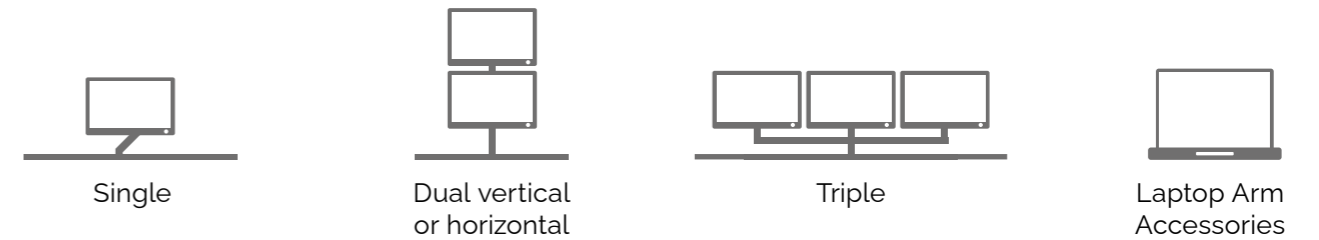
This logo signifies that the relevant product complies with EU Health and Safety Legislation: BS EN ISO 9241 Ergonomic requirements for office work with visual display terminals (VDT's): Part 5: 1999, workstation layout and postural requirements.

All Fellowes monitor arms are FIRA accredited.

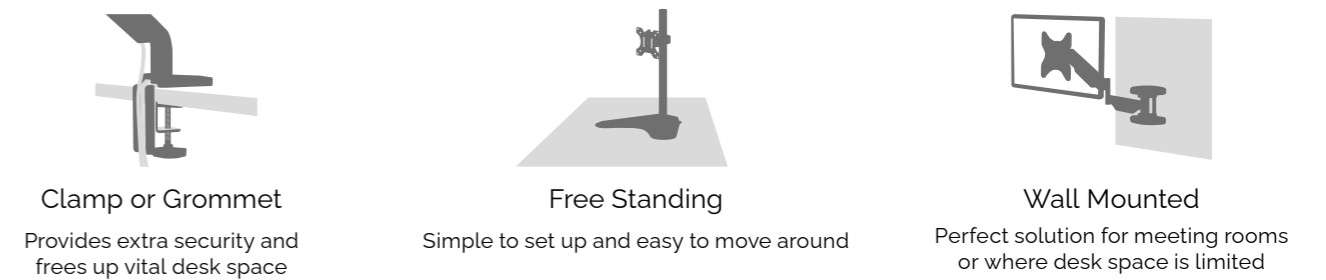
*Excludes wall mount options

Things to think about

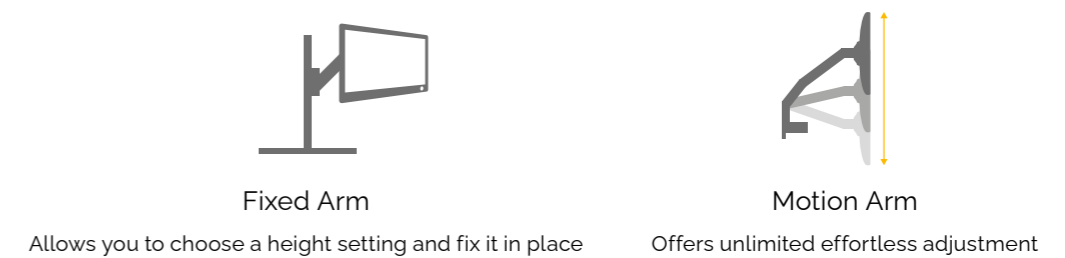
1. Number of screens



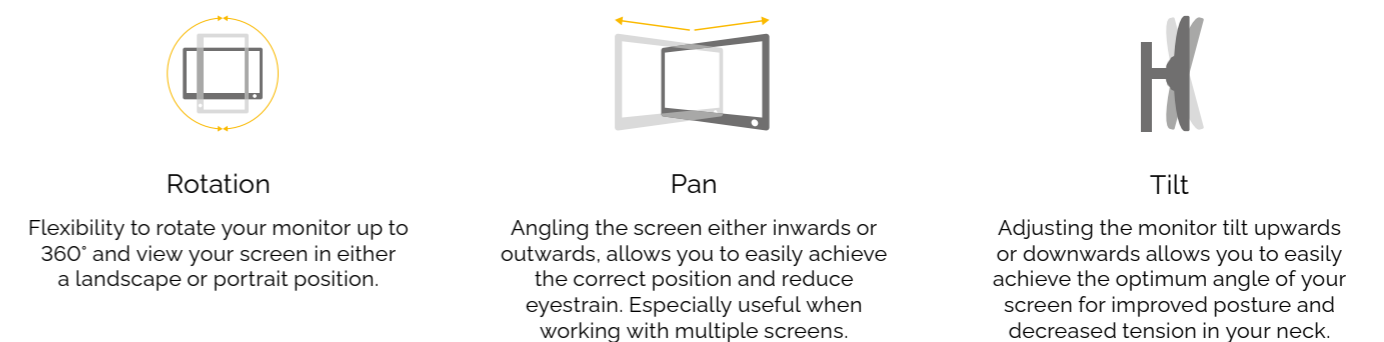
2. Mounting option



3. Level of movement



4. Adjustability



5. VESA Compliance



Most monitors have a VESA hole pattern on the back of the screen. VESA stands for Video Electronic Standard Association and is the industry benchmark used by worldwide manufactures of flat screen monitors.

Fellowes mounting solutions are all designed to fit these various VESA standards.

Platinum

Powerful flexibility

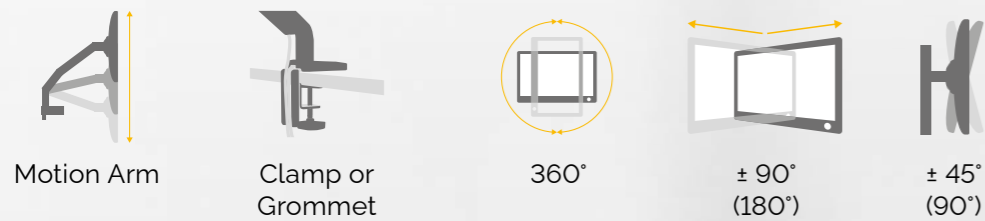
A wide choice of multi-screen modes with USB connectivity. Maximise productivity with the hard-working Platinum range.

Flexible movement

This gas spring arm makes it easy for the user to position the monitors in the right position for them.

Wide choice

Choose between 1, 2 or 3 monitors with dual stacking and side by side set ups, in a variety of colours to suit multiple user requirements.



Built-in connectivity and cable management

Save desk space with built in USB 3 connectivity to charge devices and intuitive cable management.



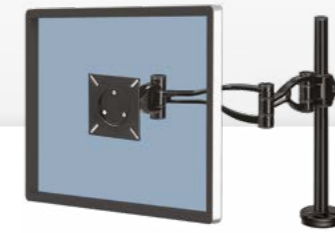
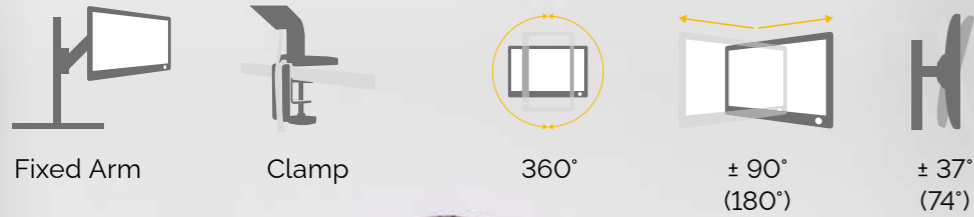
	Single	Dual	Dual Stacking	Triple
Code	Black: 8043301	Black: 8042501	Black: 8043401	Black: 8042601
	White: 8056201	White: 8056301	-	-
	Silver: 8056401	Silver: 8056501	-	-
Product Dimensions (H x W x D)	590 x 114 x 495 mm	590 x 949 x 114 mm	886 x 103 x 115 mm	924 x 1275 x 141 mm
Product Weight	2.7 kg	5.1 kg	5.0 kg	7.8 kg
Height Adjustment Range	135 - 415 mm	135 - 415 mm	57 - 717 mm	135 - 435 mm
Dynamic Height Adjustability	280 mm			
Pole Height	-	-	458 mm	458 mm
Reach Range	63.5 - 505mm	63.5 - 505mm	63.5 - 565 mm	102 - 705 mm
Rotation	360°			
Pan	± 90° (180°)			
Tilt	± 45° (90°)			
Arm Swivel	360°			
VESA	75 x 75 / 100 x 100			
Clamp: Desk Thickness	10-85 mm			
Grommet: Desk Thickness / Diameter	10 - 85 / 8.5 - 70 mm			
Tension Adjustment	Yes			
USB Connectivity	2 x 3.0 USB Port 0.5A (Type A)			
Weight Capacity: Per Screen (kg)	1.5 - 8 kg	1.5 - 8 kg	1.5 - 8kg	1.5 - 7 kg
Maximum Monitor Size (diagonal)	32" (81.2 cm)	32" (81.2 cm)	Stacking: 27" (68.50 cm) Side by side: 32" (81.28 cm)	27" (68.50 cm)
Maximum Monitor Size (W x H)	83 cm (H)	94 x 83 cm	Stacking: 72 cm (H) Side by side: 102 cm (W)	69 x 87 cm
Warranty	3 years			

Balanced control

Accessible design with easier adjustment. Practical performance for everyday use. Better quality fixed arms with specialist ergonomic design.

Flexible movement

Mounted fixed arm options that are easier to install and reposition with the tool-free height adjustment.



Vista Single Monitor Arm

Exclusive design, supported with clear instructions.



Vista Dual Monitor Arm

Make teamwork easier when you can quickly reposition your screen.

	Single	Dual
Code	8041601	8041701
Product Dimensions (H x W x D)	533 x 111 x 610 mm	559 x 111 x 984 mm
Product Weight	3.43 kg	4.58 kg
Height Adjustment Range	85 - 406 mm	
Pole Height	420 mm	
Reach Range	115 - 556 mm	115 - 552 mm
Rotation	360°	
Pan	± 90° (180°)	
Tilt	± 37° (74°)	
Arm Swivel	180°	
VESA	75 x 75 / 100 x 100	
Clamp: Desk Thickness	0 - 76 mm	
Weight Capacity: Per Screen (kg)	10 kg	
Maximum Monitor Size (diagonal)	32" (81.2 cm)	26" (66 cm)
Maximum Monitor Size (W x H)	81 cm (H)	100 x 81 cm
Warranty	3 years	



Vista Laptop arm accessory

Attach your laptop to a Vista laptop arm accessory to increase desk space and position your laptop ergonomically, reducing eye, neck and shoulder strain.

	Vista Laptop Arm Accessory
Code	8211901
Product Dimensions (H x W x D)	85 x 330 x 320 mm
Product Weight	2.30 kg
Weight Capacity (kg)	4.5 kg
Maximum Laptop Size (diagonal)	17" (43.1 cm)
Warranty	3 years

Reflex™

Greater freedom

Entry-level and affordable option that is mounted for space saving and added adjustability.

Save desk space

Mounted range frees up desk space. Monitor depth can be easily re-positioned to suit you.



Fixed Arm



Clamp or Grommet



360°



± 90° (180°)

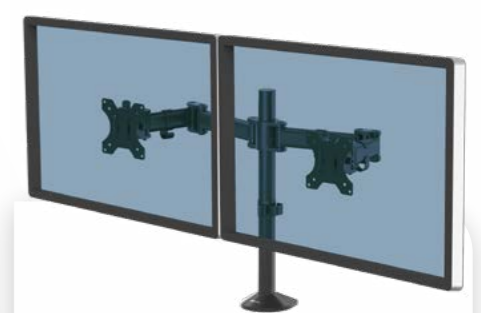


± 45° (90°)



Reflex Single Monitor Arm

Practical adjustment and everyday comfort.



Reflex Dual Monitor Arm

Experience greater freedom and space to thrive.



	Single	Dual
Code	Black: 8502501	Black: 8502601
Product Dimensions (H x W x D)	550 x 116 x 490 mm	550 x 116 x 726 mm
Product Weight	3.0 kg	4.2 kg
Height Adjustment Range	58 - 416 mm	
Pole Height	450 mm	
Reach Range	63.5 - 422 mm	63.5 - 387 mm
Rotation	360°	
Pan	± 90° (180°)	
Tilt	± 45° (90°)	
Arm Swivel	180°	
VESA	75 x 75 / 100 x 100	
Clamp: Desk Thickness	10 - 88 mm	
Grommet: Desk Thickness / Diameter	10 - 75 mm / 10.5 - 70 mm	
Weight Capacity: Per Screen (kg)	8 kg	
Maximum Monitor Size (diagonal)	32" (81.2 cm)	27" (68.5 cm)
Maximum Monitor Size (W x H)	83 cm (H)	73 x 83 cm
Warranty	3 years	

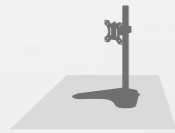
Seasa™

Pure simplicity

Practical adjustment for everyday comfort.



Fixed Arm



Freestanding



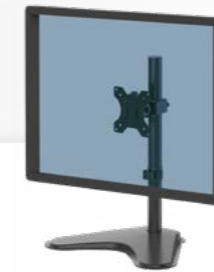
360°



± 60°
(120°)

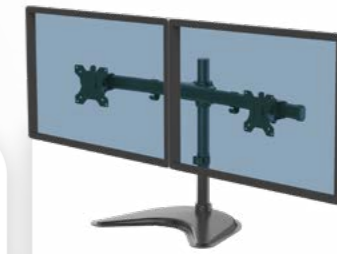


± 45° (90°)
Dual: ± 30° (60°)



Seasa Single Monitor Arm

Position your monitor arm wherever you like.



Seasa Dual Monitor Arm

Increase your productivity with dual screen working.



Seasa Dual Stacking Monitor Arm

Think clearer when you raise your screen and free your desk space.



	Single	Dual	Dual Stacking
Code	Black: 8049601	Black: 8043701	Black: 8044001
Product Dimensions (H x W x D)	465 x 390 x 280 mm	465 x 805 x 316 mm	902 x 389 x 279 mm
Product Weight	2.67 kg	4.87 kg	4.08 kg
Height Adjustment Range	83 - 445 mm	76 - 435 mm	83 - 885 mm
Pole Height	465 mm	465 mm	905 mm
Rotation	360°		
Pan	± 60° (120°)		
Tilt	± 45° (90°)	± 30° (60°)	± 45° (90°)
VESA	75 x 75 / 100 x 100		
Weight Capacity: Per Screen (kg)	8 kgs		
Maximum Monitor Size (diagonal)	32" (81.2 cm)	27" (68.5 cm)	32" (81.2 cm)
Maximum Monitor Size (W x H)	89 (H) cm	70 x 87 cm	59 (H) cm
Warranty	3 years		

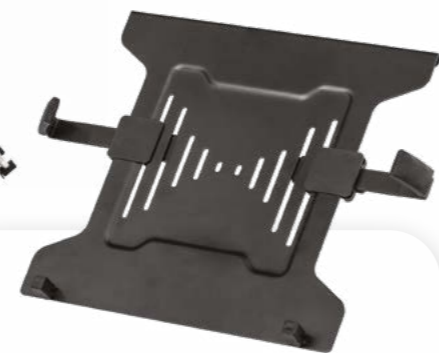
Laptop Arm Accessory

Stay **focused** and **flexible**

Combine with any Fellowes monitor arm for a multi screen set up.



	Laptop Arm Accessory
Code	Black: 8044101
Product Dimensions (H x W x D)	279.4 x 442.9 x 65.1 mm
Product Weight	1.18 kg
Weight Capacity (kg)	4.5 kg
Maximum Laptop Size (diagonal)	17" (43.1 cm)



Laptop Arm Accessory
Adjustable brackets keep your laptop secure.

Compatible with all Fellowes monitor arms excluding the Vista range (8041601/8041701).

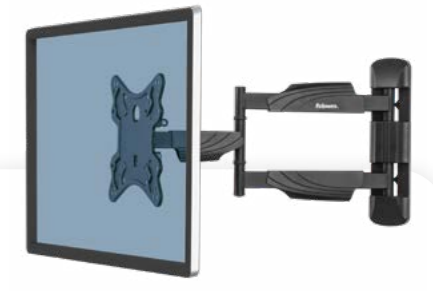
Wall Mount

Maximise space

Full motion monitor arms easily extend & retract for TV screens or monitors up to 35kgs.



Single Wall Mount Arm
Gas spring movement.



Full Motion Wall Mount Arm
Depth adjustable.

	Single Wall Mount Arm	Full Motion Wall Mount Arm
Code	Black: 8043501	Black: 8043601
Product Dimensions (H x W x D)	478 x 225 x 514 mm	454 x 413 x 502 mm
Product Weight	3.54 kg	2.72 kg
Dynamic Height Adjustability	282 mm	-
Reach Range	59 - 563 mm	495 mm
Rotation	± 3° (6°)	± 5° (10°)
Pan	± 90° (180°)	± 90° (180°)
Tilt	+15°/-5° (20°)	+2°/-12° (14°)
Arm Swivel	180°	180°
VESA	75 x 75 / 100 x 100 / 200 x 200 / 200 x 100	100 x 100 / 100 x 150 / 200 x 100 / 200 x 200 / 300 x 300 / 300 x 200 / 400 x 400 / 400 x 300 / 400 x 200
Weight Capacity: Per Screen (kg)	5 - 30 kg	35 kg
Maximum Monitor Size (diagonal)	42" (51 - 107 cm)	23" - 55" (58 - 140 cm)
Warranty	3 years	

Screen setups to suit
any environment.



Fellowes